



k kasalar**kalip**
Office Chair Components

PRODUCT CATALOGUE

www.kasalarkalip.com.tr



ABOUT US

Kasalar Kalip is an industrial enterprise that started production in 1986. Our activities continue all over Turkey, mostly in Istanbul. Our ultra-modern production facility is equipped with a 750-tonne injection molding machine, polishing shop and state-of-the-art coating units. The designs of the molds we are producing and various products that are thought to be made are made from scratch by us, and the project can be undertaken completely according to the needs. Having the equipment to meet the expectations of its customers, Kasalar Kalip provides high quality products and services by producing without compromising product quality standards. The main products we produce and the services we provide are: Metal Mold, Plastic Mold, Polishing and Coating.

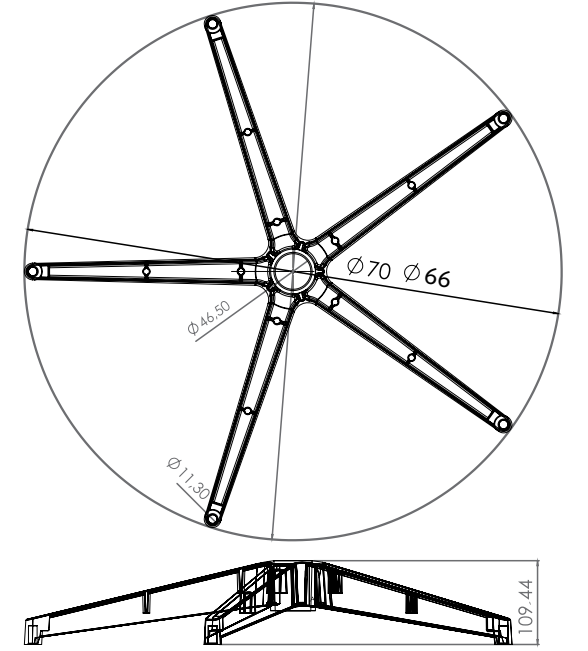
*Experience, Quality,
Reasonable Price,
Satisfaction*

kasalar kalip
Office Chair Components

OFFICE CHAIR COMPONENTS

kasalar kalip
Office Chair Components

YILDIZ BASE (66 / 70) ALUMINUM

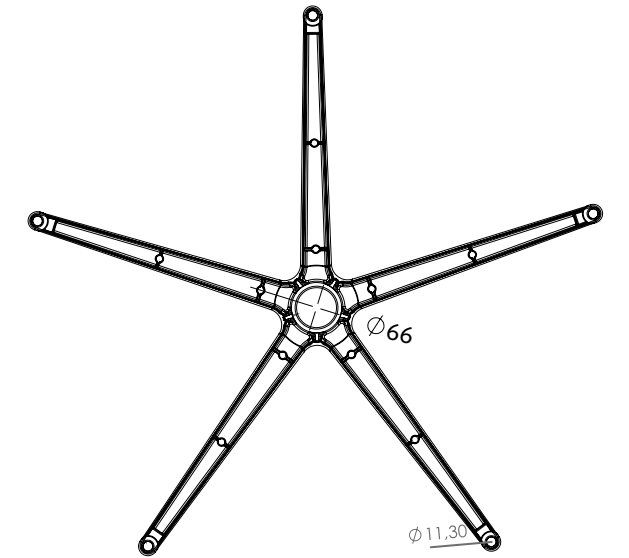


PRODUCT INFORMATION

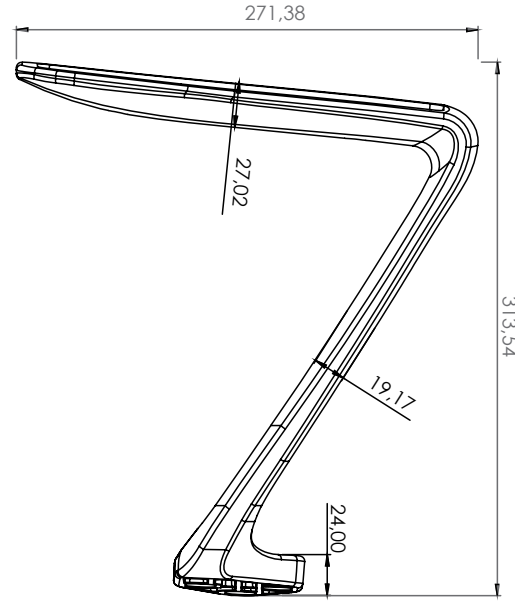
EN AB 46100 ALSİ 1 2 (b)

FE	Si	CU	MN	MG	ZN	Ni	Ti	PB	SN
0,55	10,5	0,1	0,55	0,1	0,15	0,1	0,15	0,1	0,1
	13,5								

CONICAL BASE (STEEL)



YILDIZ ARM
ALUMINUM

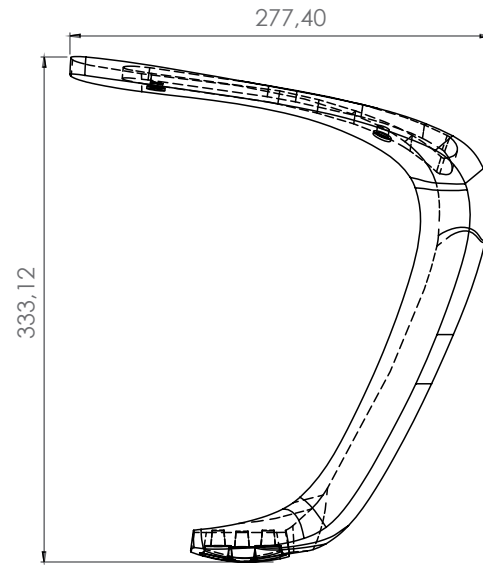


PRODUCT INFORMATION

EN AB 46100 ALSİ 1 2 (b)

FE	Si	CU	MN	MG	ZN	Nİ	Tİ	PB	SN
0,55	10,5	0,1	0,55	0,1	0,15	0,1	0,15	0,1	0,1
	13,5								

UZAY ARM
ALUMINUM

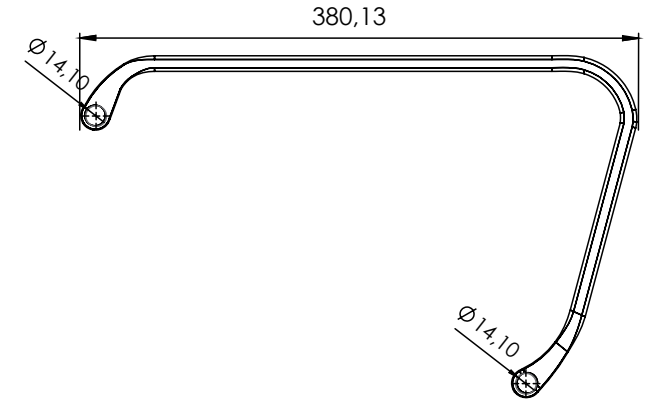


PRODUCT INFORMATION

EN AB 46100 ALSİ 1 2 (b)

FE	Si	CU	MN	MG	ZN	Nİ	Tİ	PB	SN
0,55	10,5	0,1	0,55	0,1	0,15	0,1	0,15	0,1	0,1
	13,5								

NEXT ARM
ALUMINUM

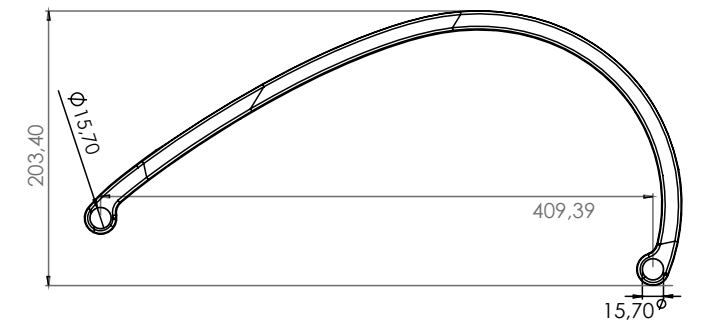


PRODUCT INFORMATION

EN AB 46100 ALSİ 1 2 (b)

FE	Si	CU	MN	MG	ZN	Nİ	Tİ	PB	SN
0,55	10,5	0,1	0,55	0,1	0,15	0,1	0,15	0,1	0,1
	13,5								

MOON ARM
ALUMINUM

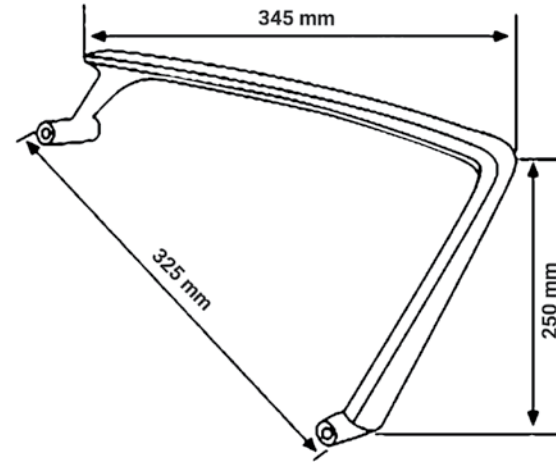


PRODUCT INFORMATION

EN AB 46100 ALSİ 1 2 (b)

FE	Si	CU	MN	MG	ZN	Nİ	Tİ	PB	SN
0,55	10,5	0,1	0,55	0,1	0,15	0,1	0,15	0,1	0,1
	13,5								

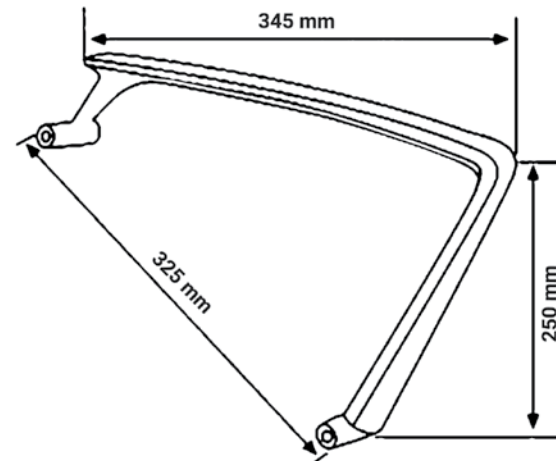
SLIM ARM
ALUMINUM



PRODUCT INFORMATION
EN AB 46100 ALSİ 1 2 (b)

FE	Si	CU	MN	MG	ZN	Nİ	Tİ	PB	SN
0,55	10,5	0,1	0,55	0,1	0,15	0,1	0,15	0,1	0,1
	13,5								

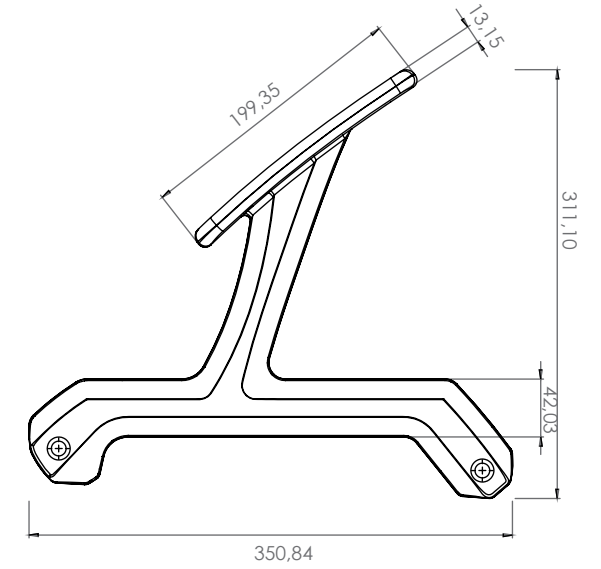
SLIM ARM
ALUMINUM PAINTED



PRODUCT INFORMATION
EN AB 46100 ALSİ 1 2 (b)

FE	Si	CU	MN	MG	ZN	Nİ	Tİ	PB	SN
0,55	10,5	0,1	0,55	0,1	0,15	0,1	0,15	0,1	0,1
	13,5								

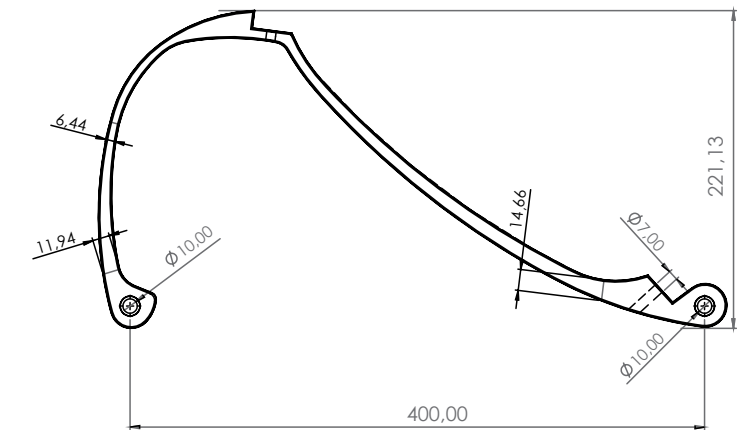
SCISSORS ARM
ALUMINUM



PRODUCT INFORMATION
EN AB 46100 ALSİ 1 2 (b)

FE	Si	CU	MN	MG	ZN	Nİ	Tİ	PB	SN
0,55	10,5	0,1	0,55	0,1	0,15	0,1	0,15	0,1	0,1
	13,5								

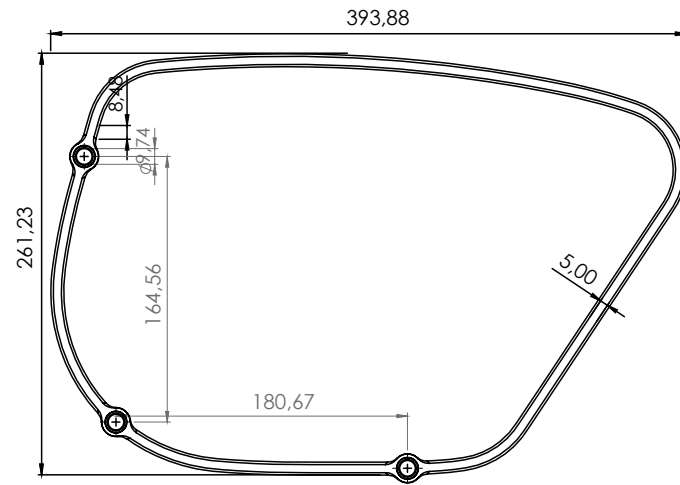
BRIDGE ARM
ALUMINUM



PRODUCT INFORMATION
EN AB 46100 ALSİ 1 2 (b)

FE	Si	CU	MN	MG	ZN	Nİ	Tİ	PB	SN
0,55	10,5	0,1	0,55	0,1	0,15	0,1	0,15	0,1	0,1
	13,5								

ROUND ARM
ALUMINUM

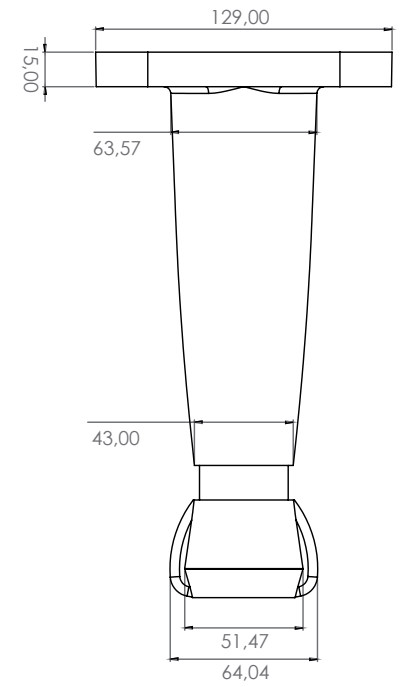


PRODUCT INFORMATION

EN AB 46100 ALSİ 1 2 (b)

FE	SI	CU	MN	MG	ZN	NI	Tİ	PB	SN
0,55	10,5	0,1	0,55	0,1	0,15	0,1	0,15	0,1	0,1
	13,5								

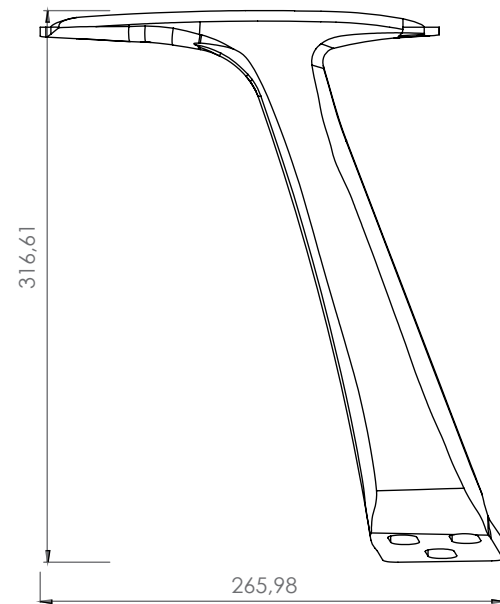
GAMER X CHAIR ARM
PLASTIC



PRODUCT INFORMATION

Polyratene / Poliamid-6 / Steel

TOWER ARM
ALUMINUM

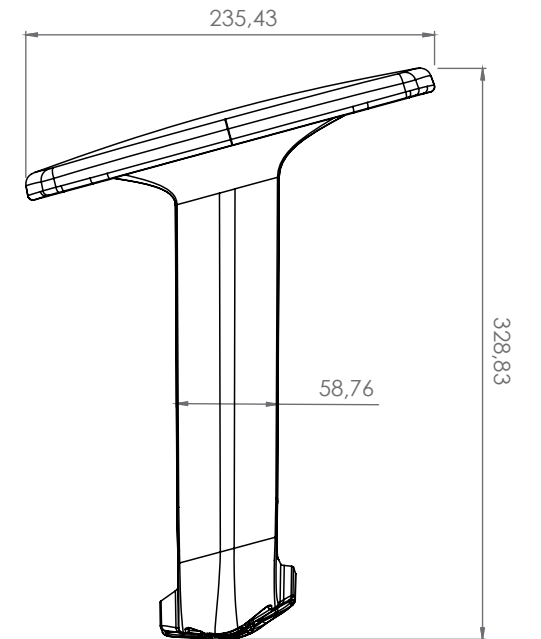


PRODUCT INFORMATION

EN AB 46100 ALSİ 1 2 (b)

FE	SI	CU	MN	MG	ZN	NI	Tİ	PB	SN
0,55	10,5	0,1	0,55	0,1	0,15	0,1	0,15	0,1	0,1
	13,5								

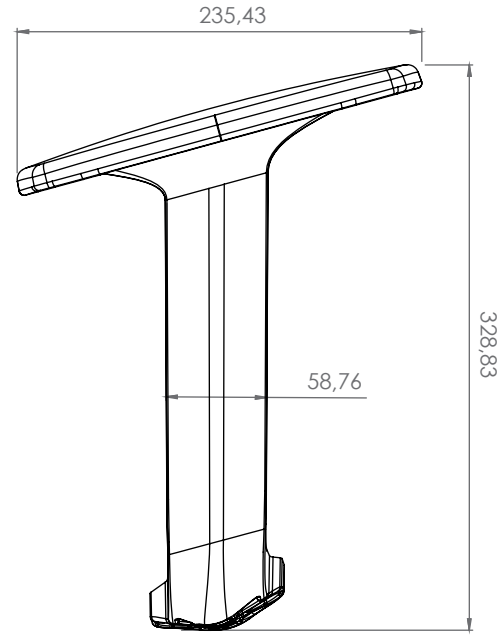
2D ARM
PLASTIC



PRODUCT INFORMATION

Poliamid-6 / PVC

FIXED ARM
PLASTIC



PRODUCT INFORMATION

%20 Glass Fiber Reinforced Polypropylene

2D ARM
PLASTIC



PRODUCT INFORMATION

Poliamid-6 / PVC





İkitelli OSB Mah. Esot F Blok Sk. No:10 İçkapı No:10
Başakşehir / İstanbul / TÜRKİYE
+90 212 565 10 88 | info@kasalarkalip.com.tr
www.kasalarkalip.com.tr